

# Collecting Manual Traffic Studies by Video

Don R. Crownover, P.E.

# Why do manual counts?

June 22, 2010

Oregon Department of  
Transportation

# Equipment testing, set up, and verification



June 22, 2010

Oregon Department of  
Transportation

# Turning Movements



June 22, 2010

Oregon Department of  
Transportation

# Safety Concerns



June 22, 2010

Oregon Department of  
Transportation

# Urban environments



June 22, 2010

Oregon Department of  
Transportation

# Why switch to video?

June 22, 2010

Oregon Department of  
Transportation

# Safety of the manual counters



June 22, 2010

Oregon Department of  
Transportation



# Vary speed of playback



June 22, 2010

Oregon Department of  
Transportation

# Loss of Data



June 22, 2010

Oregon Department of  
Transportation

# Documentation



June 22, 2010

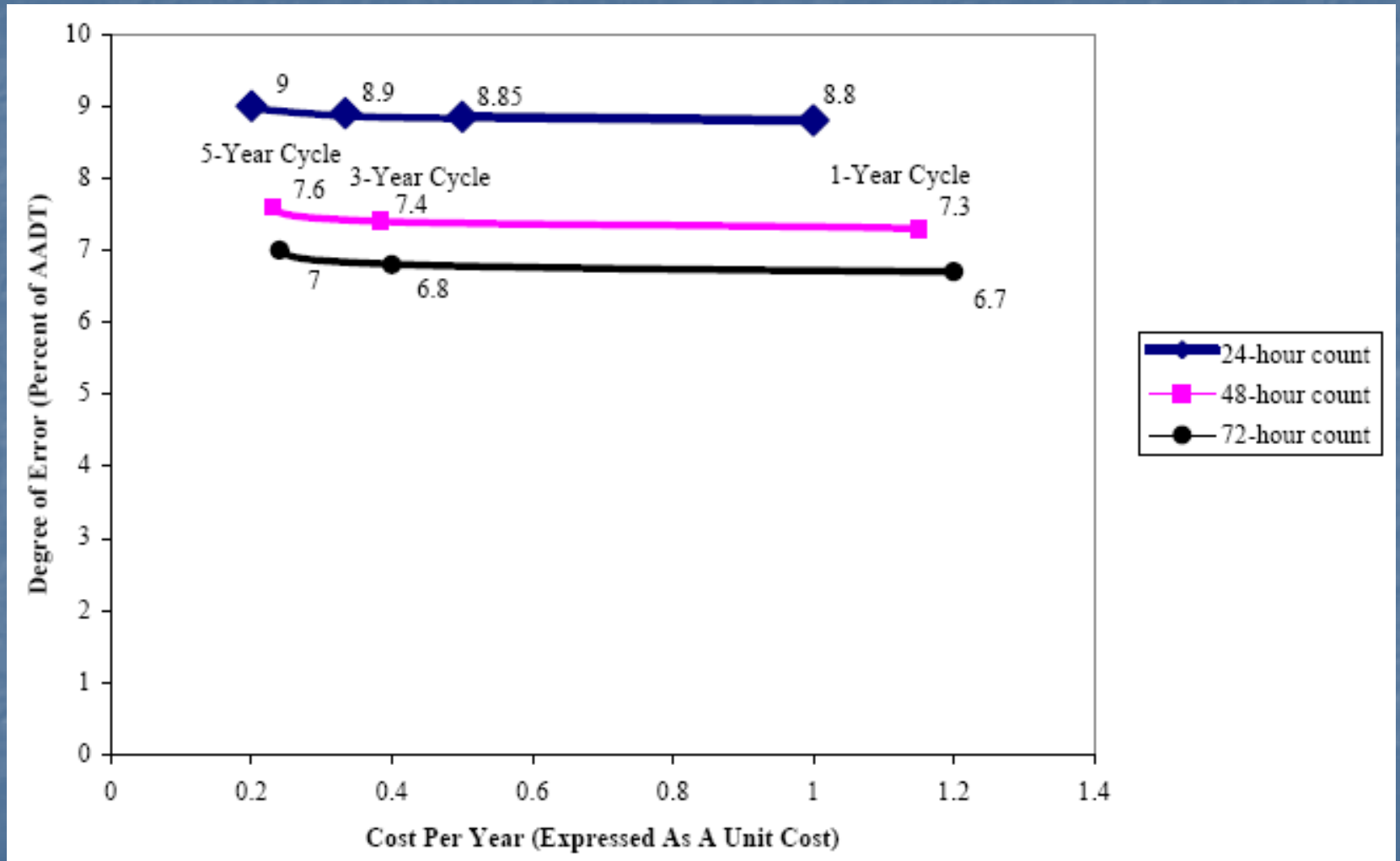
Oregon Department of  
Transportation

# Issues, Lessons, Solutions

June 22, 2010

Oregon Department of  
Transportation

# Count Length



# Homeland Security – Who is watching who?



June 22, 2010

Oregon Department of  
Transportation

# Ladder Safety



June 22, 2010

Oregon Department of  
Transportation

# Use of Trailers



June 22, 2010

Oregon Department of  
Transportation



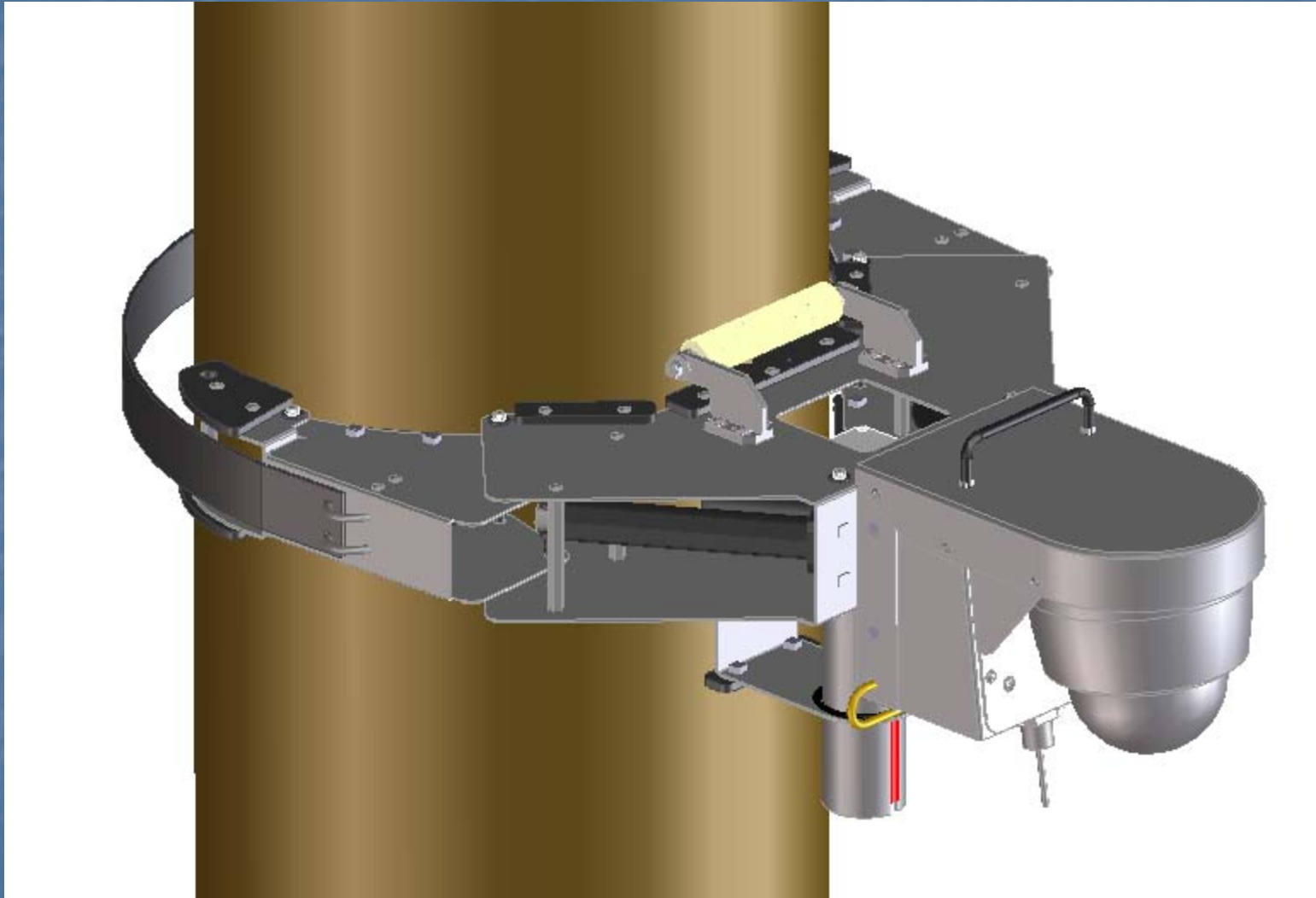
# Remember Beta?



June 22, 2010

Oregon Department of  
Transportation

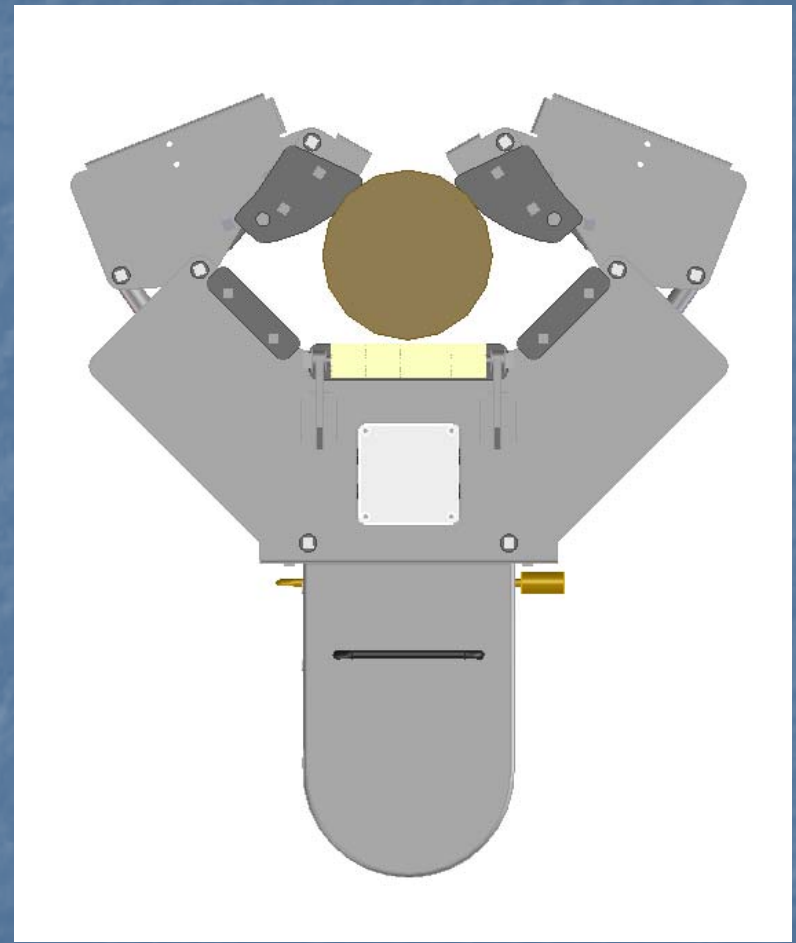
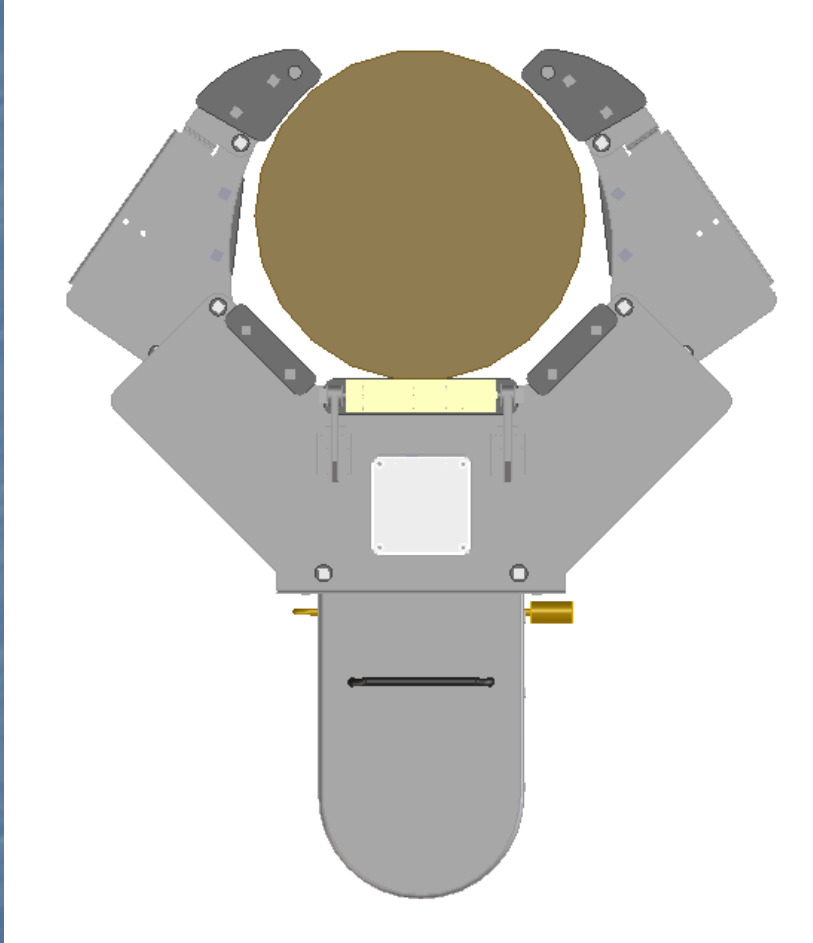
# The Claw



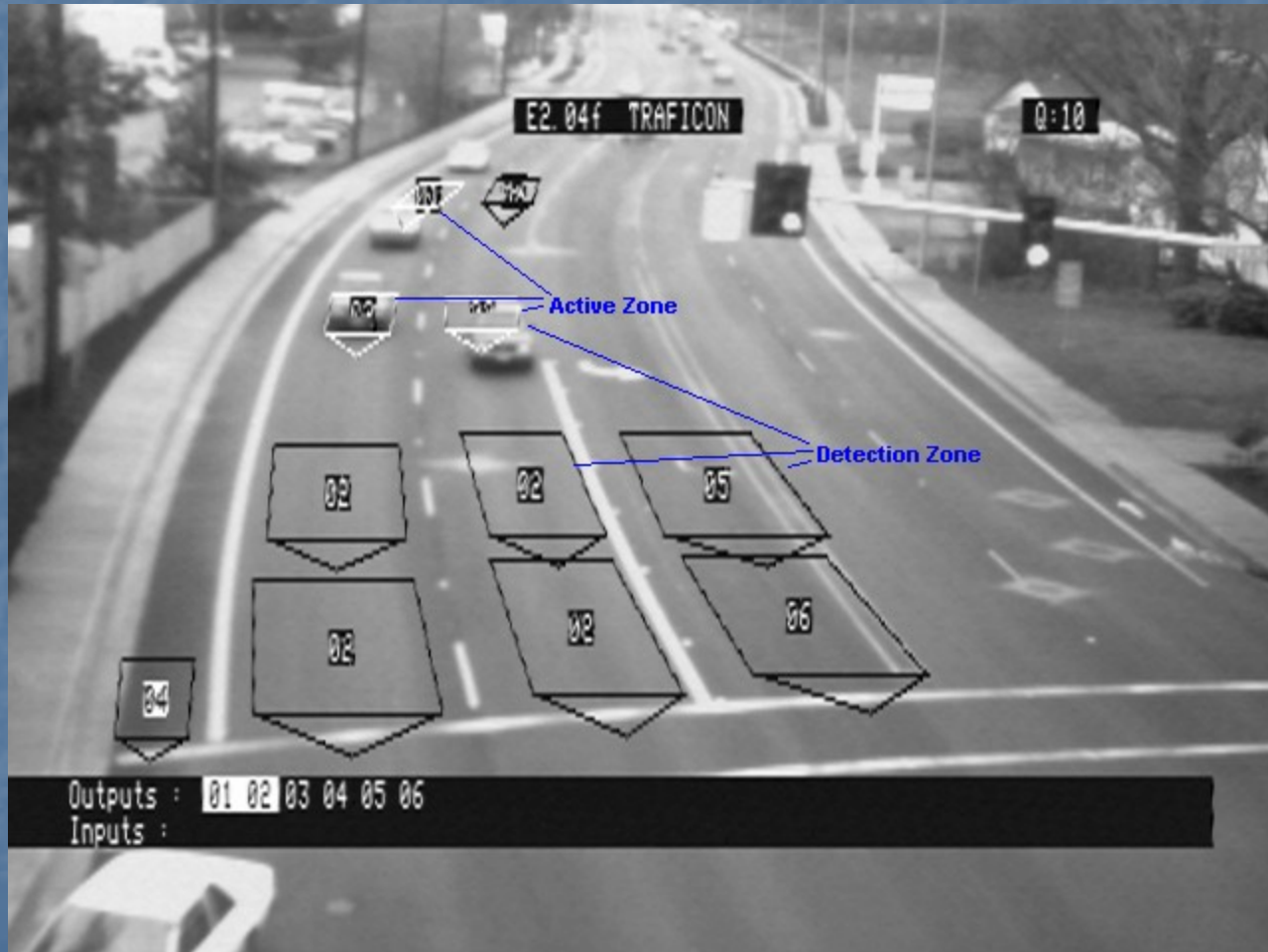
June 22, 2010

Oregon Department of  
Transportation

# Claw Improvement



# Take the manual out of manual?



# Questions?

