

APPENDIX E

Interface Alternatives for Communicating with Controllers

The Communications Handbook for Traffic Control Systems (Gordon 1993) identifies common interface approaches for communicating with controllers. Figures E1 and E2 are examples of such interfaces. Since its publication, the use of fiber optic modems in place of copper-based systems has become common. These modems may be provided as units in the controller chassis or they may be external to the chassis. Spread spectrum radio modems are also more commonly used than in the past.

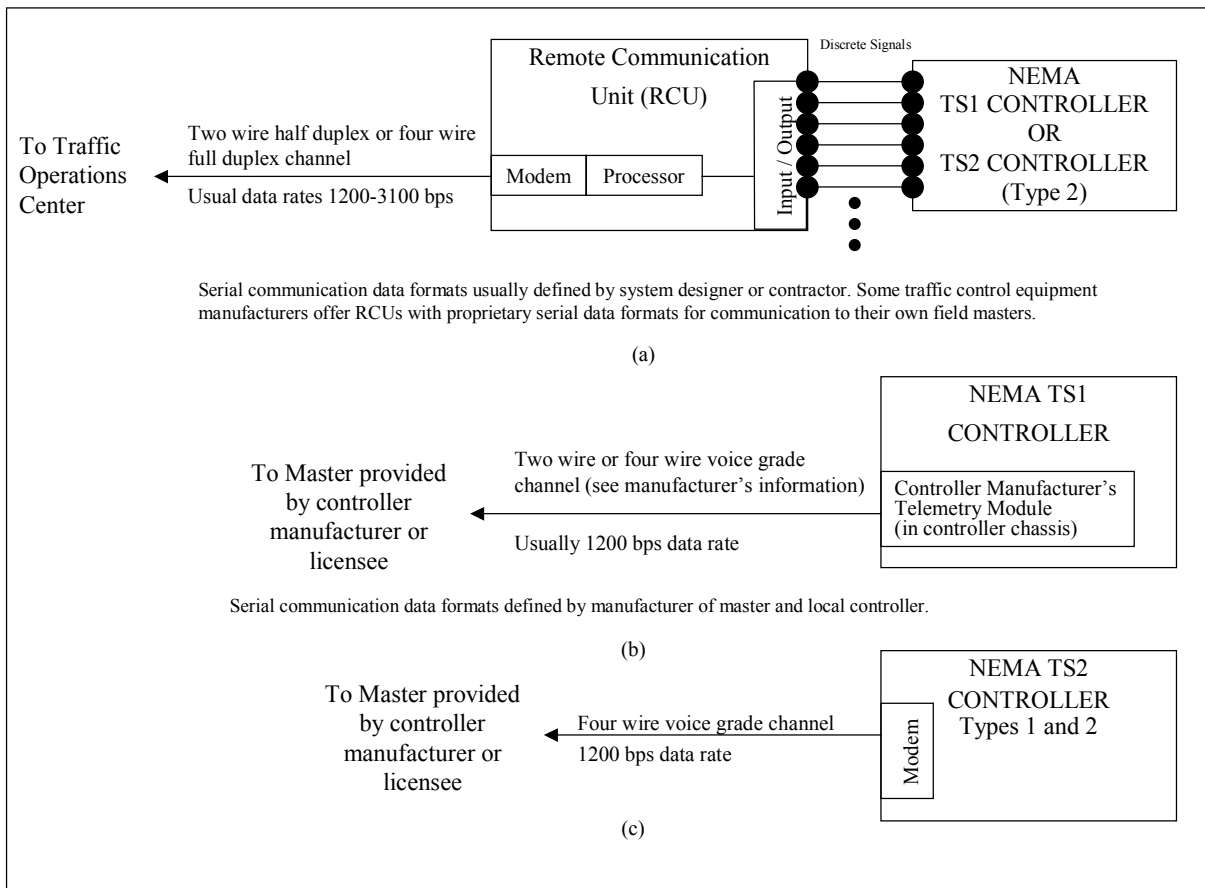


FIGURE E1 Communication interface alternatives for National Electrical Manufacturer's Association controllers (Gordon et al. 1993).

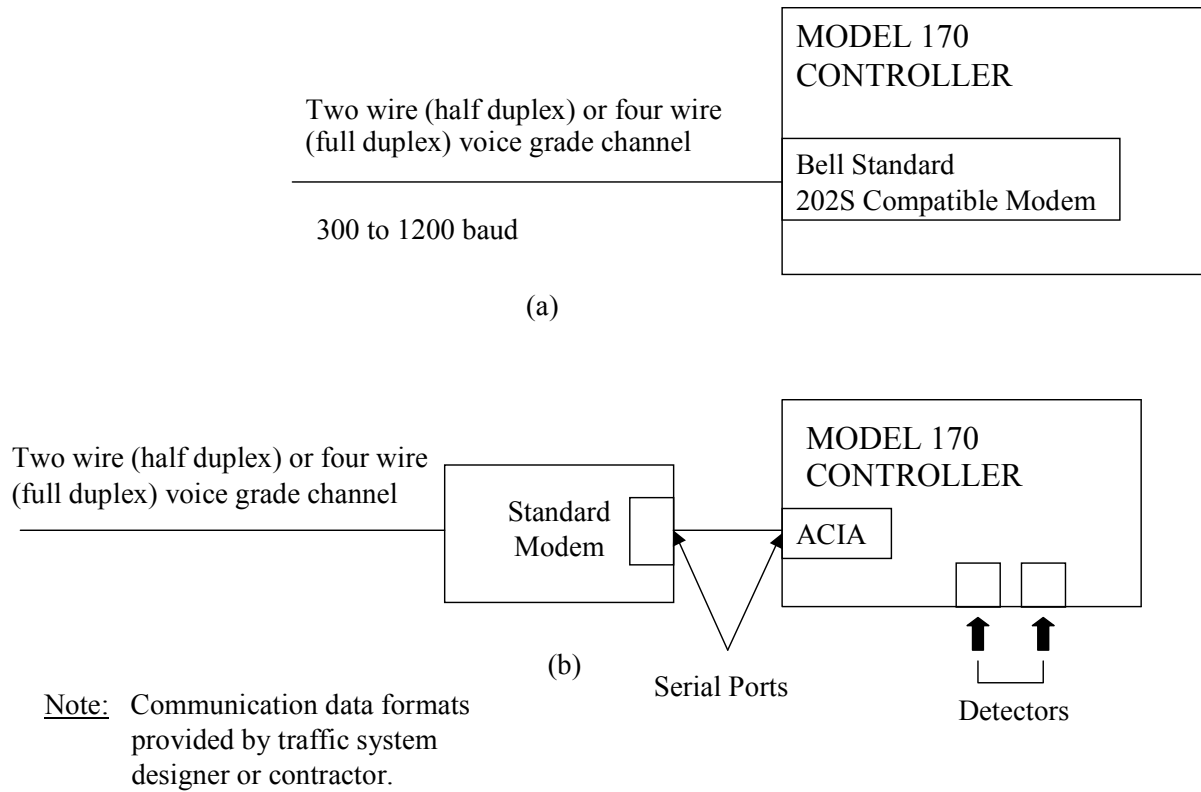


FIGURE E2 Communication interface alternatives for Model 170 Controller (Gordon et al. 1993).