

UTILITY LINECODES			
EXISTING	TO BE REMOVED	PROPOSED	TYPE OF UTILITY
			ELECTRIC
			ELECTRIC/TELECOMMUNICATIONS
			ELECTRIC/CABLE TV
			ELECTRIC/TRAFFIC CONTROL
			ELECTRIC/TELECOMMUNICATIONS/CABLE TV
			ELECTRIC/TELECOMMUNICATIONS/CABLE TV/TRAFFIC CONTROL
			ELECTRIC/CABLE TV/TRAFFIC CONTROL
			ELECTRIC/TELECOMMUNICATIONS/TRAFFIC CONTROL
			GUY WIRE
			TELECOMMUNICATIONS
			TELECOMMUNICATIONS/TRAFFIC CONTROL
			TELECOMMUNICATIONS/CABLE TV/TRAFFIC CONTROL
			CABLE TV
			CABLE TV/TRAFFIC CONTROL
			TRAFFIC CONTROL

			ELECTRIC (QL-D)
			ELECTRIC (QL-C)
			ELECTRIC (QL-B)
			TELECOMMUNICATIONS (QL-D)
			TELECOMMUNICATIONS (QL-C)
			TELECOMMUNICATIONS (QL-B)
			CABLE TV (QL-D)
			CABLE TV (QL-C)
			CABLE TV (QL-B)
			WATER (QL-D)
			WATER (QL-C)
			WATER (QL-B)
			WATER FOR LABELED PIPE SIZES (QL-D)
			WATER FOR LABELED PIPE SIZES (QL-C)
			WATER FOR LABELED PIPE SIZES (QL-B)
			NON-POTABLE WATER (QL-D)
			NON-POTABLE WATER (QL-C)
			NON-POTABLE WATER (QL-B)
			NON-POTABLE WATER FOR LABELED PIPE SIZES (QL-D)
			NON-POTABLE WATER FOR LABELED PIPE SIZES (QL-C)
			NON-POTABLE WATER FOR LABELED PIPE SIZES (QL-B)
			STEAM (QL-D)
			STEAM (QL-C)
			STEAM (QL-B)
			STEAM FOR LABELED PIPE SIZES (QL-D)
			STEAM FOR LABELED PIPE SIZES (QL-C)
			STEAM FOR LABELED PIPE SIZES (QL-B)
			SANITARY SEWER WITH FLOW DIRECTION (QL-D)
			SANITARY SEWER WITH FLOW DIRECTION (QL-C)
			SANITARY SEWER WITH FLOW DIRECTION (QL-B)
			SANITARY SEWER WITH FLOW DIRECTION FOR LABELED PIPE SIZES (QL-D)
			SANITARY SEWER WITH FLOW DIRECTION FOR LABELED PIPE SIZES (QL-C)
			SANITARY SEWER WITH FLOW DIRECTION FOR LABELED PIPE SIZES (QL-B)
			SANITARY SEWER FORCE MAIN WITH FLOW DIRECTION (QL-D)
			SANITARY SEWER FORCE MAIN WITH FLOW DIRECTION (QL-C)
			SANITARY SEWER FORCE MAIN WITH FLOW DIRECTION (QL-B)
			GAS (QL-D)
			GAS (QL-C)
			GAS (QL-B)
			GAS FOR LABELED PIPE SIZES (QL-D)
			GAS FOR LABELED PIPE SIZES (QL-C)
			GAS FOR LABELED PIPE SIZES (QL-B)
			PETROLEUM (QL-D)
			PETROLEUM (QL-C)
			PETROLEUM (QL-B)
			PETROLEUM FOR LABELED PIPE SIZES (QL-D)
			PETROLEUM FOR LABELED PIPE SIZES (QL-C)
			PETROLEUM FOR LABELED PIPE SIZES (QL-B)
			TRAFFIC CONTROL (QL-D)
			TRAFFIC CONTROL (QL-C)
			TRAFFIC CONTROL (QL-B)
			UNKNOWN UTILITY FOUND IN SUE INVESTIGATION (QL-B)

UTILITY SYMBOLS					
EXISTING	PROPOSED	TEMPORARY	EXISTING	PROPOSED	TEMPORARY
			<p>FOR PROPOSED/TEMPORARY TRAFFIC CONTROL INFORMATION REFER TO TRAFFIC SIGNAL PLANS</p> <p>TRAFFIC CONTROL MANHOLE/ELECTRIC COMMUNICATIONS BOX TRAFFIC CONTROL PEDESTRIAN SIGNAL/BUTTON POST</p>		
			<p>MISCELLANEOUS</p> <p>LOS</p> <p>TH</p> <p>EOI</p> <p>Quality Level (QL) Delineation</p> <p>POLE ID</p> <p>Sanitary Sewer Manhole (SSMH) ID</p> <p>Conflict Location (Utility Impact Analysis (UIA) ONLY)</p>		

QUALITY LEVELS AND DEFINITIONS

QL-D DEPICTED ACCORDING TO UTILITY RECORD INFORMATION AND IN-FIELD VISUAL INSPECTION. NO ELECTRONIC DESIGNATING INFORMATION WAS OBTAINED.

QL-C EXISTING UTILITY STRUCTURES HAVE BEEN FIELD LOCATED AND SURVEYED TO ASSIST IN DEPICTING THE UTILITIES SHOWN ON RECORDS. NO ELECTRONIC DESIGNATING INFORMATION WAS OBTAINED.

QL-B INFORMATION WAS OBTAINED THROUGH THE APPLICATION OF APPROPRIATE SURFACE GEOPHYSICAL METHODS TO DETERMINE THE EXISTENCE AND APPROPRIATE HORIZONTAL POSITION OF THE SUBSURFACE UTILITIES. QL-B DATA SHOULD BE REPRODUCIBLE BY SURFACE GEOPHYSICS AT ANY POINT OF THEIR DEPICTION. THIS INFORMATION IS SURVEYED TO APPLICABLE TOLERANCES DEFINED BY THE PROJECT AND REDUCED ONTO PLAN DOCUMENTS.

QL-A OBTAIN PRECISE HORIZONTAL AND VERTICAL POSITION OF THE UTILITY LINE BY EXCAVATING A TEST HOLE. THE TEST HOLE SHALL BE DONE USING VACUUM EXCAVATION OR COMPARABLE NONDESTRUCTIVE EQUIPMENT IN A MANNER AS TO CAUSE NO DAMAGE TO THE UTILITY LINE. AFTER EXCAVATING A TEST HOLE, A FIELD SURVEY SHALL BE PERFORMED TO DETERMINE THE EXACT LOCATION AND POSITION OF THE UTILITY LINE.

TELEPHONE PAIR SIZE TABLE

TELEPHONE PAIR SIZE	TELEPHONE CABLE DIAMETER
5 - 100	0.50 TO 2.00 IN
101 - 2400	UP TO 3.50 IN

NOT TO SCALE	REVISION DATES	STATE OF GEORGIA DEPARTMENT OF TRANSPORTATION OFFICE: UTILITIES
		UTILITY PLANS LEGEND
		SR 120/ROSWELL RD. WIDENING
		DRAWING No. 24-0B

UTILITY POLE DATA SHEET

Table with columns: Description, TBE Job #, Pole #, Pole ID, Pole Owner, Electric, Telecom, Cable TV, Traffic, Other, Northing, Easting, Height, Dia., Material, Misc. Rows include data for poles 1 through 41.

UTILITY POLE DATA SHEET

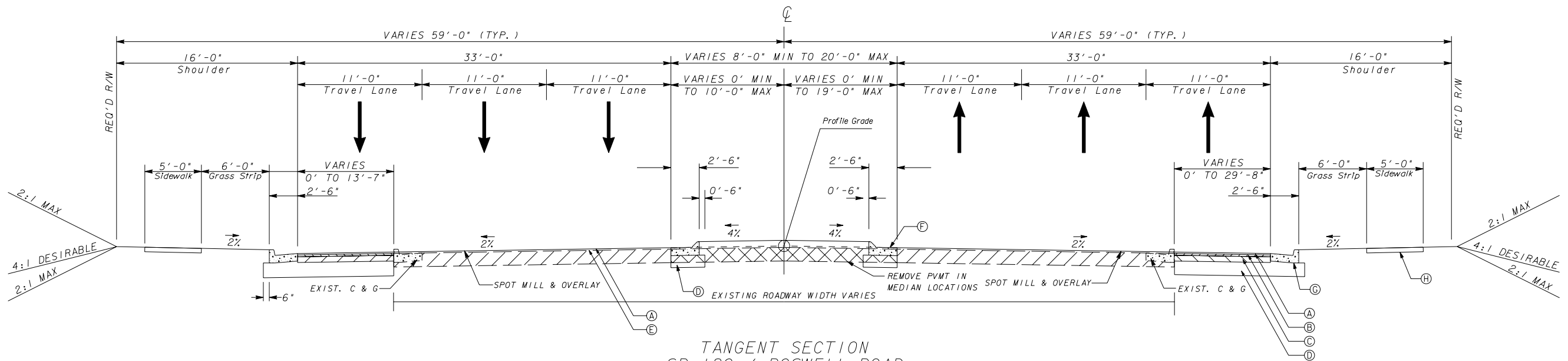
Table with columns: Description, TBE Job #, Pole #, Pole ID, Pole Owner, Electric, Telecom, Cable TV, Traffic, Other, Northing, Easting, Height, Dia., Material, Misc. Rows include data for poles 42 through 92A.

REVISION DATES

STATE OF GEORGIA
DEPARTMENT OF TRANSPORTATION
OFFICE: UTILITIES
UTILITY PLANS
UTILITY POLE DATA
SR 120/ROSWELL RD. WIDENING

DRAWING No. 24-0C

NOT TO SCALE

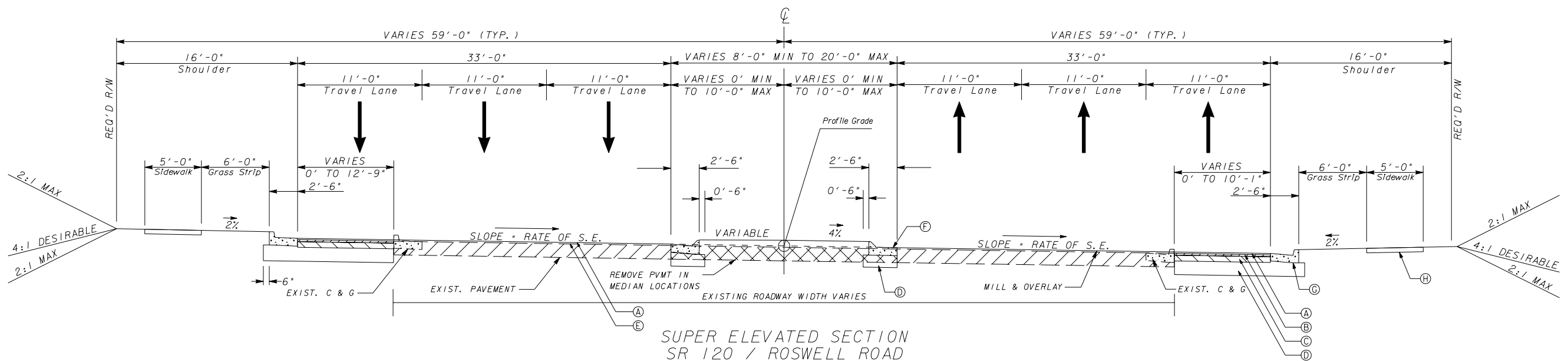


TANGENT SECTION
SR 120 / ROSWELL ROAD

STA. 14+95.93 TO 24+67.00
STA. 35+89.00 TO 62+90.00
STA. 86+88.96 TO 90+50.00

SLOPE CONTROLS		
SLOPE	CUT	FILL
4:1	0-10'	0-10'
3:1	--	--
2:1	OVER 10'	OVER 10'

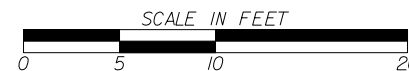
PAVEMENT MATERIAL SCHEDULE	
(A)	RECYCLED ASPH. CONC. 12.5 mm SMA, GP 2 ONLY, 165 LBS./SY, DESIGN MIX LEVEL D
(B)	RECYCLED ASPH. CONC. 19 mm SUPERPAVE, GP 10R GP2, 330 LBS./SY, DESIGN MIX LEVEL D
(C)	RECYCLED ASPH. CONC. 25 mm SUPERPAVE, GP10R GP2, 880 LBS./SY, DESIGN MIX LEVEL C
(D)	GRADED AGGREGATE BASE COURSE, 12"
(E)	ASPHALTIC CONCRETE LEVELING, AS REQUIRED
(F)	CONCRETE CURB & GUTTER, 8" X 30", TYPE 7, GA STD. 9032 B
(G)	CONCRETE CURB & GUTTER, 8" X 30", TYPE 2, GA STD. 9032 B
(H)	5' CONCRETE SIDEWALK, 4 INCH THICK



SUPER ELEVATED SECTION
SR 120 / ROSWELL ROAD

STA. 24+67.00 TO 35+89.00
STA. 62+90.00 TO 66+29.91

NOTE: SEE DRAWING NO. 5-07 FOR STD. DETAILS

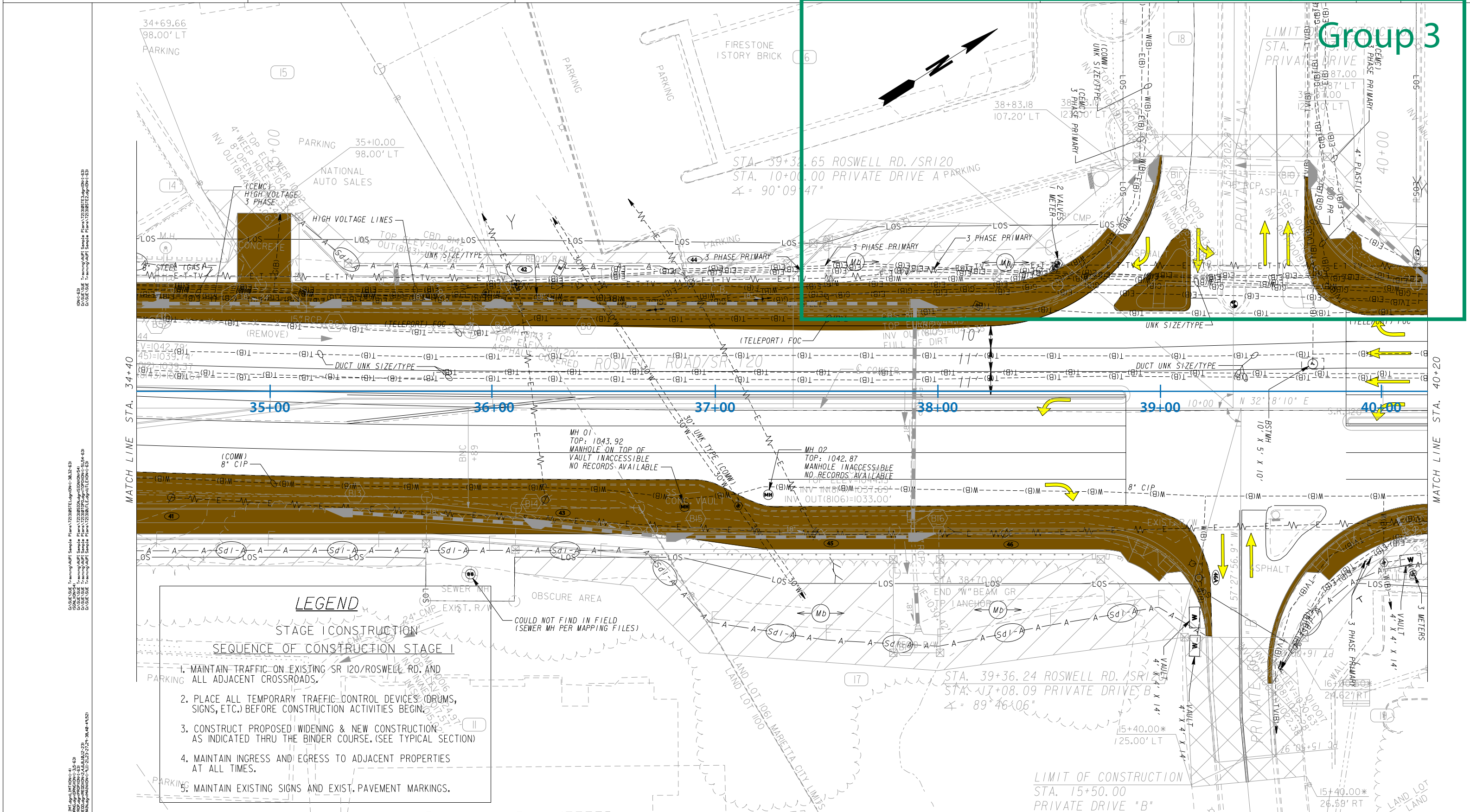


REVISION DATES

STATE OF GEORGIA
DEPARTMENT OF TRANSPORTATION
OFFICE: URBAN DESIGN
TYPICAL SECTIONS

SR 120/ROSWELL RD. WIDENING

DRAWING No.
5-01



Group 3

MATCH LINE STA. 34+40

MATCH LINE STA. 40+20

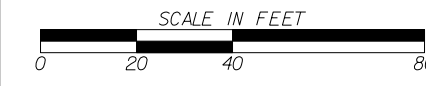
LEGEND

STAGE I CONSTRUCTION SEQUENCE OF CONSTRUCTION STAGE I

1. MAINTAIN TRAFFIC ON EXISTING SR 120/ROSWELL RD. AND ALL ADJACENT CROSSROADS.
2. PLACE ALL TEMPORARY TRAFFIC CONTROL DEVICES (DRUMS, SIGNS, ETC.) BEFORE CONSTRUCTION ACTIVITIES BEGIN.
3. CONSTRUCT PROPOSED WIDENING & NEW CONSTRUCTION AS INDICATED THRU THE BINDER COURSE. (SEE TYPICAL SECTION)
4. MAINTAIN INGRESS AND EGRESS TO ADJACENT PROPERTIES AT ALL TIMES.
5. MAINTAIN EXISTING SIGNS AND EXIST. PAVEMENT MARKINGS.

PROPERTY AND EXISTING R/W LINE	---
REQUIRED R/W LINE	---
CONSTRUCTION LIMITS	— C — F —
EASEMENT FOR CONSTR & MAINTENANCE OF SLOPES	▨
EASEMENT FOR CONSTR OF SLOPES	▩
EASEMENT FOR CONSTR OF DRIVES	▧

BEGIN LIMIT OF ACCESS.....	BLA
END LIMIT OF ACCESS.....	ELA
LIMIT OF ACCESS	—○—○—○—
R/W AND LIMIT OF ACCESS	— — — —
EXISTING R/W LINE	---

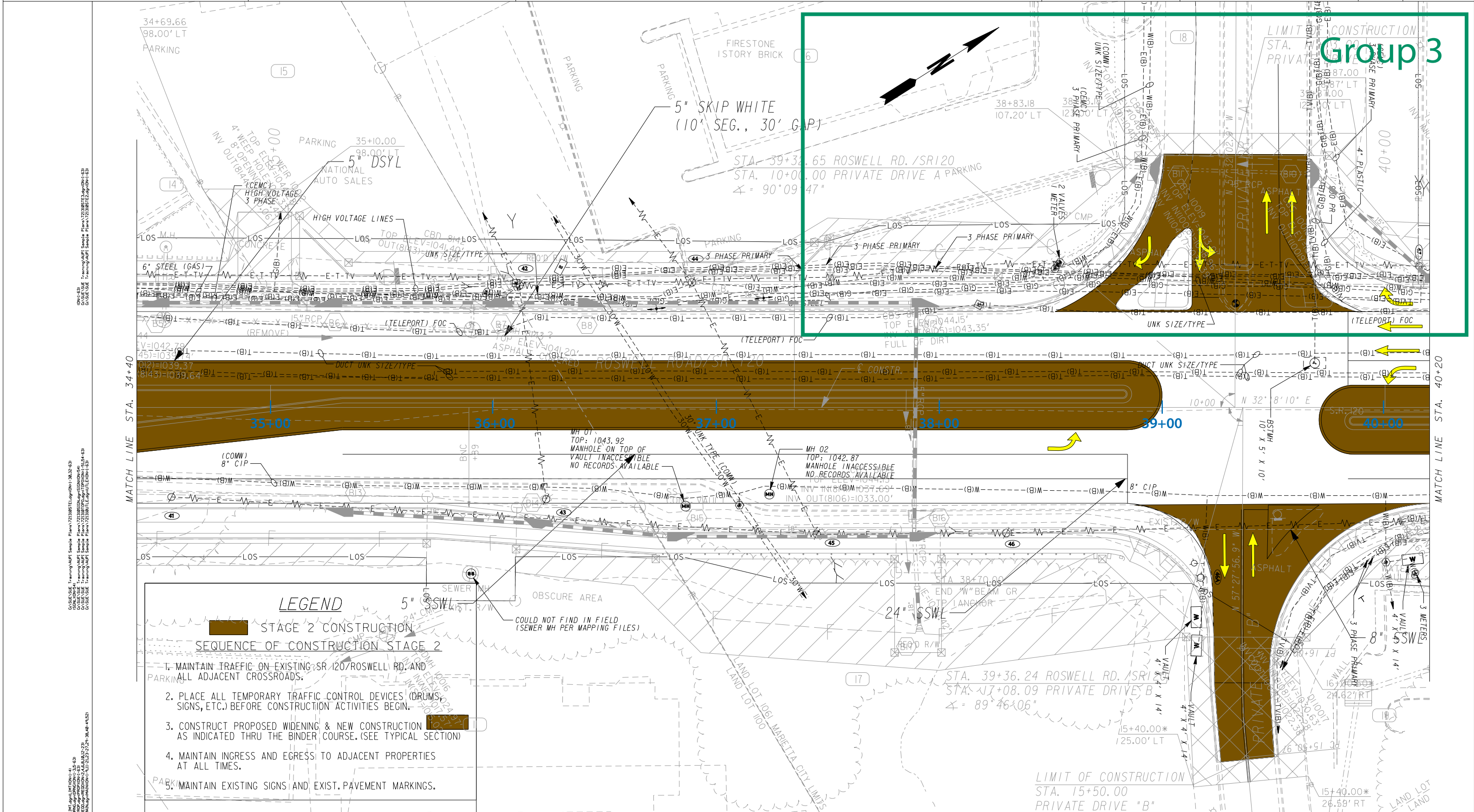


REVISION DATES	

STATE OF GEORGIA
DEPARTMENT OF TRANSPORTATION
OFFICE: URBAN DESIGN

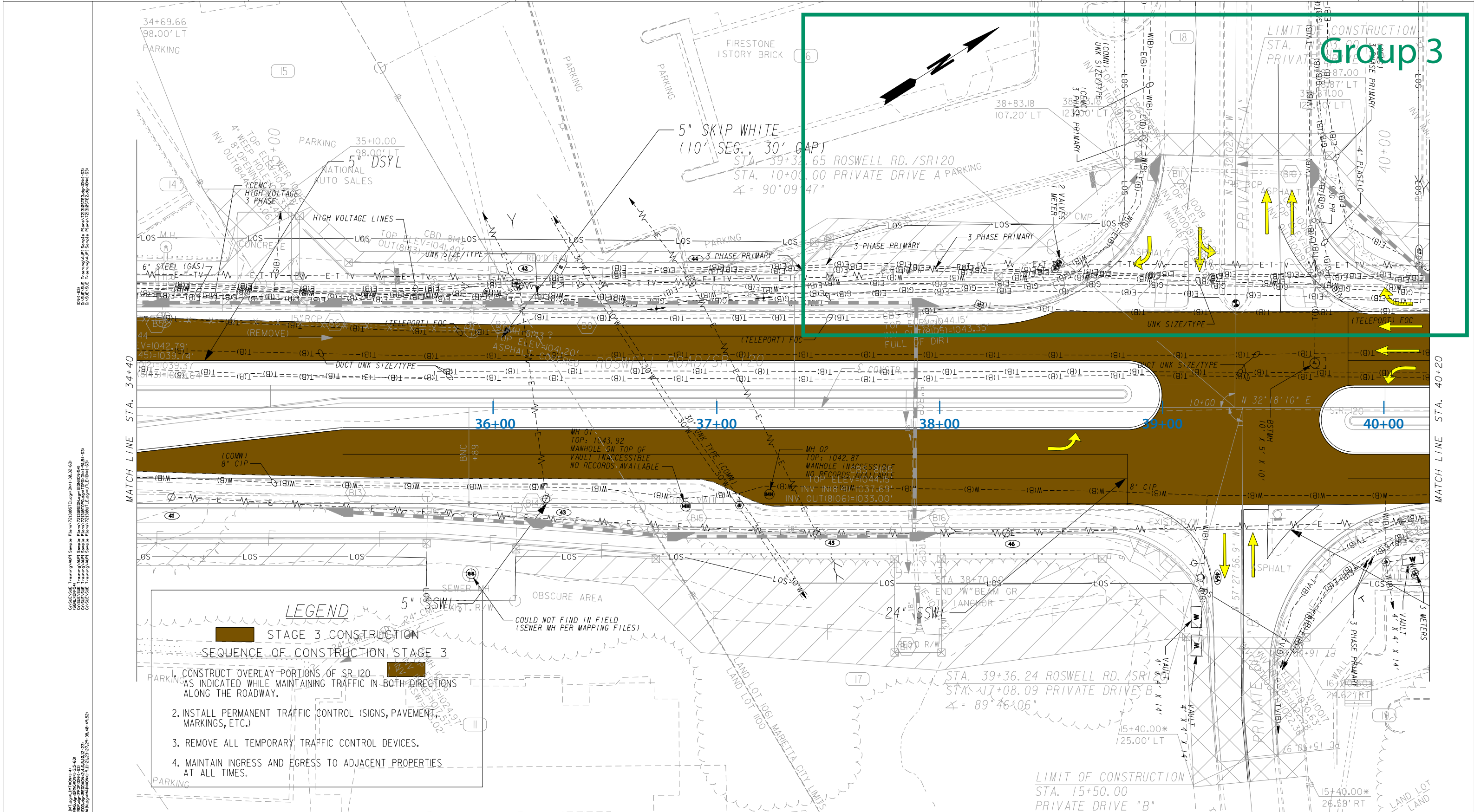
MAINLINE PLAN
STAGE I CONSTRUCTION
SR 120/ROSWELL RD. WIDENING
STA. 34+40 - STA. 40+20

DRAWING No. 13-05



Group 3





Group 3

LEGEND

■ STAGE 3 CONSTRUCTION

— SEQUENCE OF CONSTRUCTION STAGE 3

1. CONSTRUCT OVERLAY PORTIONS OF SR 120 AS INDICATED WHILE MAINTAINING TRAFFIC IN BOTH DIRECTIONS ALONG THE ROADWAY.
2. INSTALL PERMANENT TRAFFIC CONTROL (SIGNS, PAVEMENT, MARKINGS, ETC.)
3. REMOVE ALL TEMPORARY TRAFFIC CONTROL DEVICES.
4. MAINTAIN INGRESS AND EGRESS TO ADJACENT PROPERTIES AT ALL TIMES.

PROPERTY AND EXISTING R/W LINE	---
REQUIRED R/W LINE	---
CONSTRUCTION LIMITS	C F
EASEMENT FOR CONSTR & MAINTENANCE OF SLOPES	▨
EASEMENT FOR CONSTR OF SLOPES	▩
EASEMENT FOR CONSTR OF DRIVES	▧

BEGIN LIMIT OF ACCESS.....	BLA
END LIMIT OF ACCESS.....	ELA
LIMIT OF ACCESS	---
R/W AND LIMIT OF ACCESS	▨
EXISTING R/W LINE	---

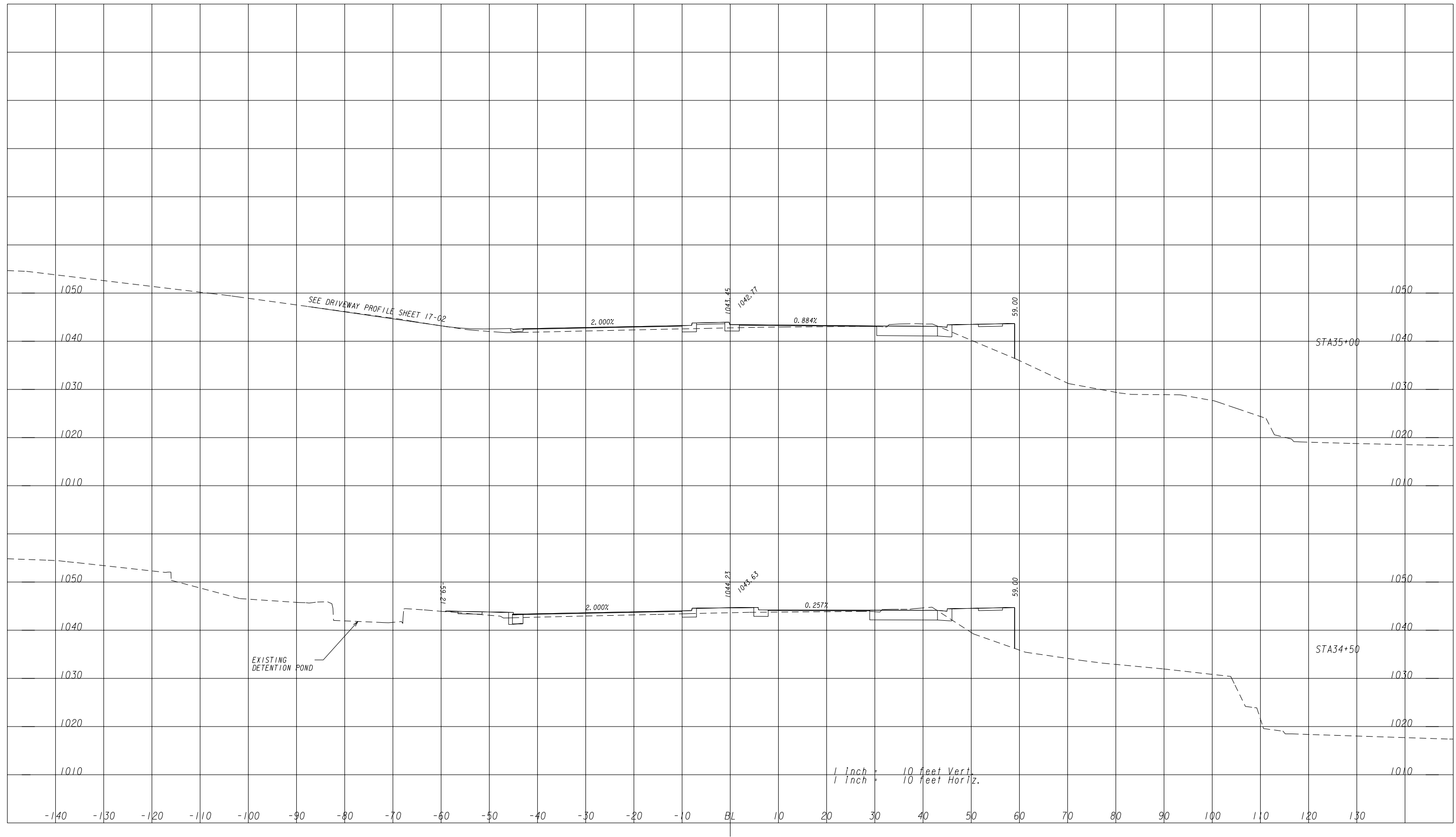


REVISION DATES

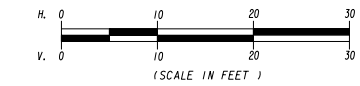
STATE OF GEORGIA
DEPARTMENT OF TRANSPORTATION
OFFICE: URBAN DESIGN

MAINLINE PLAN
STAGE 3 CONSTRUCTION
SR 120/ROSWELL RD. WIDENING
STA. 34+40 - STA. 40+20

DRAWING No. 13-05



G:\SUE\SUE Training\AUP\ Sample Plans\721310XS01.dgn(0N+1-56, 58-63)
 G:\SUE\SUE Training\AUP\ Sample Plans\721310XS01.dgn(0N+1-56, 58-63)
 G:\SUE\SUE Training\AUP\ Sample Plans\721310XS01.dgn(0N+1-56, 58-63)
 G:\SUE\SUE Training\AUP\ Sample Plans\721310XS01.dgn(0N+1-56, 58-63)
 G:\SUE\SUE Training\AUP\ Sample Plans\721310XS01.dgn(0N+1-56, 58-63)

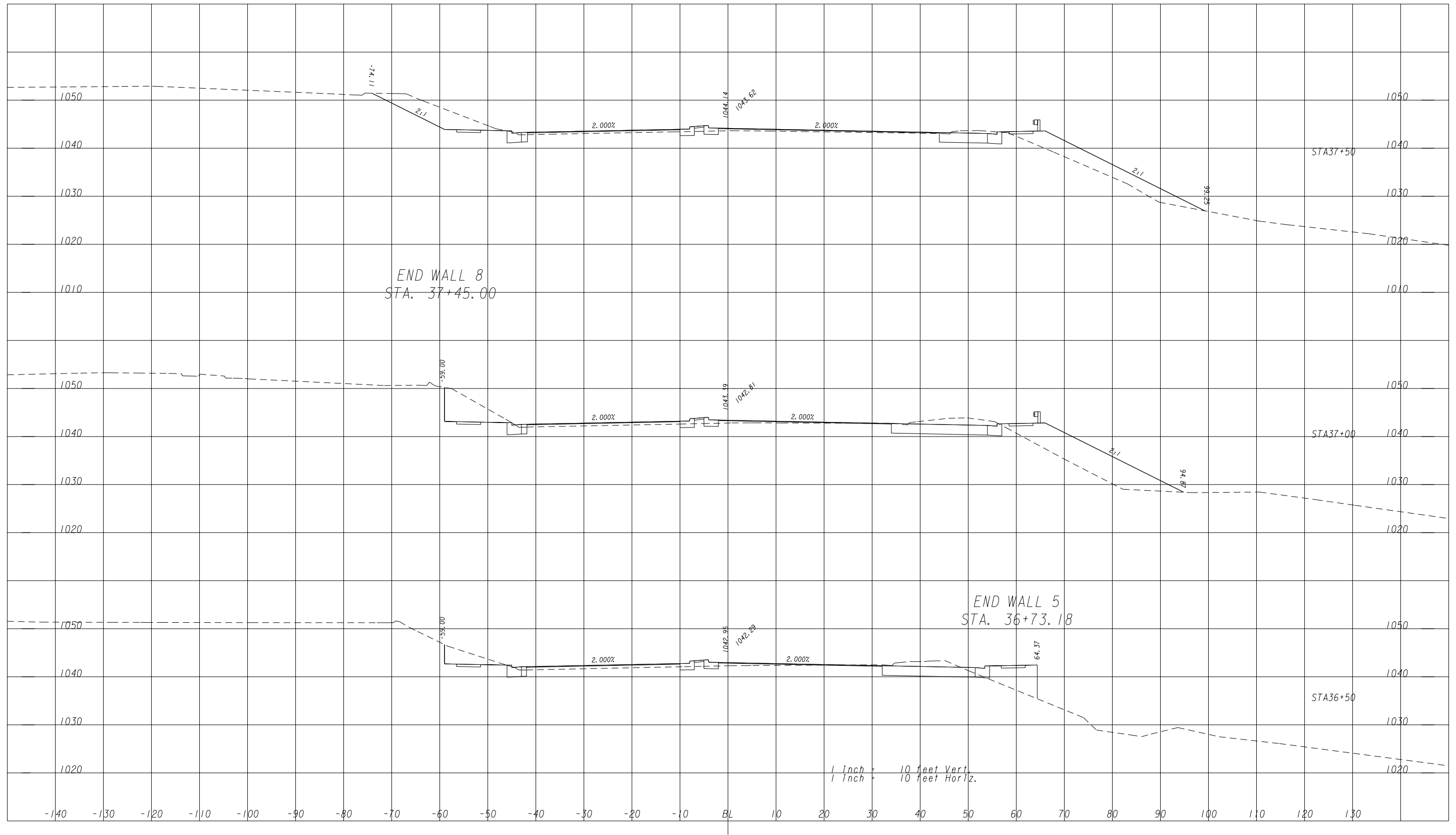


REVISION DATES		

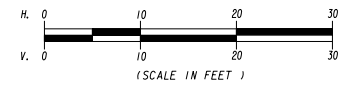
STATE OF GEORGIA
DEPARTMENT OF TRANSPORTATION
OFFICE: URBAN DESIGN
EARTHWORK CROSS SECTIONS

SR 120/ROSWELL RD. WIDENING

DRAWING No.
23-12



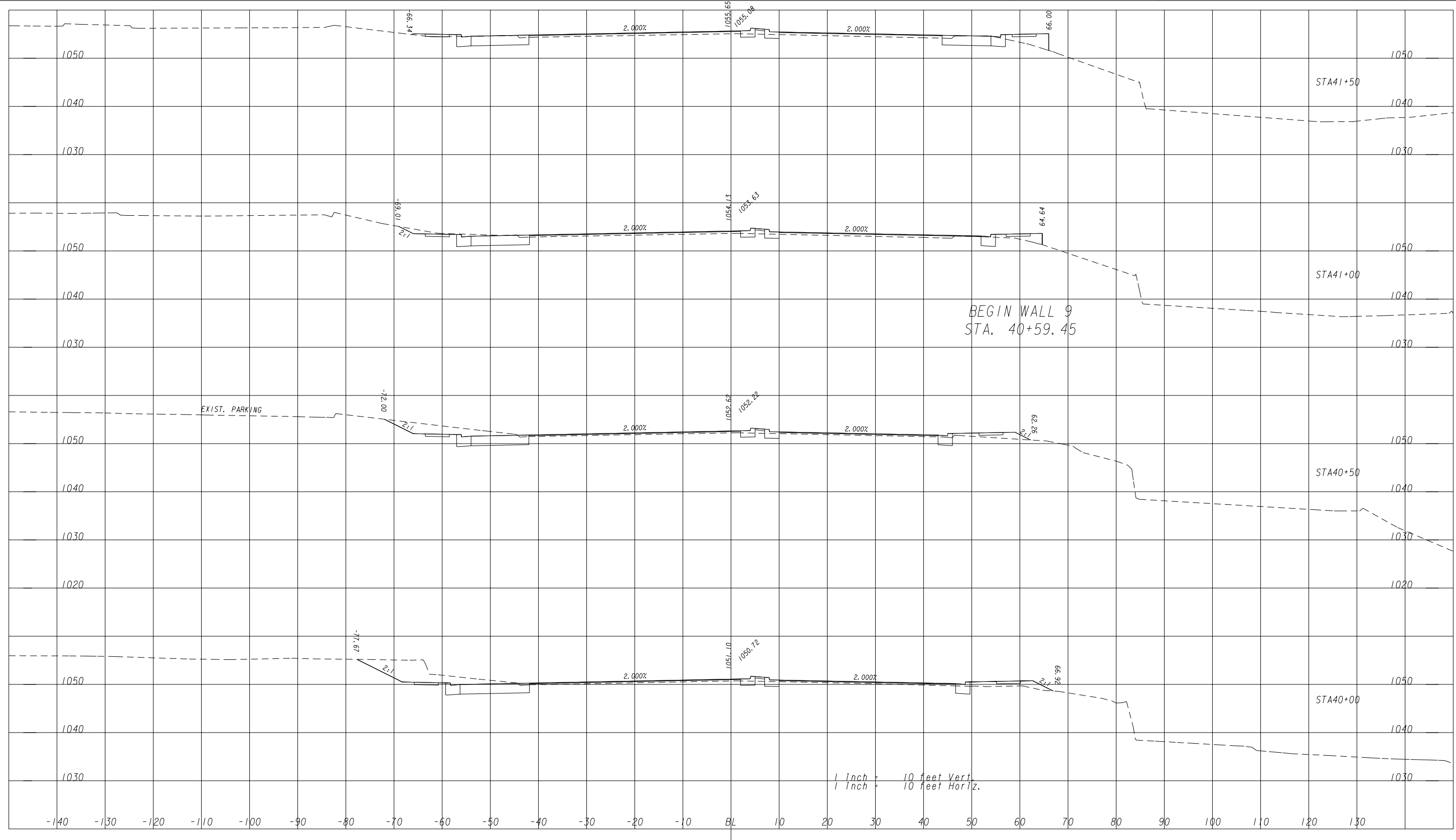
G:\SUE\SUE Training\AUP\ Sample Plans\721310XS01.dgn(0N+1-56, 58-63)
 G:\SUE\SUE Training\AUP\ Sample Plans\721310XS01.dgn(0N+1-56, 58-63)
 G:\SUE\SUE Training\AUP\ Sample Plans\721310XS01.dgn(0N+1-56, 58-63)
 G:\SUE\SUE Training\AUP\ Sample Plans\721310XS01.dgn(0N+1-56, 58-63)
 G:\SUE\SUE Training\AUP\ Sample Plans\721310XS01.dgn(0N+1-56, 58-63)



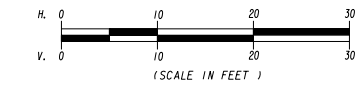
REVISION DATES	

STATE OF GEORGIA
 DEPARTMENT OF TRANSPORTATION
 OFFICE: URBAN DESIGN
 EARTHWORK CROSS SECTIONS
 SR 120/ROSWELL RD. WIDENING

DRAWING No.
23-14



G:\SUE\SUE Training\AUP\ Sample Plans\721310XS01.dgn(0N+1-56, 58-63)
 G:\SUE\SUE Training\AUP\ Sample Plans\721310XS01.dgn(0N+1-56, 58-63)
 G:\SUE\SUE Training\AUP\ Sample Plans\721310XS01.dgn(0N+1-56, 58-63)
 G:\SUE\SUE Training\AUP\ Sample Plans\721310XS01.dgn(0N+1-56, 58-63)
 G:\SUE\SUE Training\AUP\ Sample Plans\721310XS01.dgn(0N+1-56, 58-63)
 G:\SUE\SUE Training\AUP\ Sample Plans\721310XS01.dgn(0N+1-56, 58-63)
 G:\SUE\SUE Training\AUP\ Sample Plans\721310XS01.dgn(0N+1-56, 58-63)
 G:\SUE\SUE Training\AUP\ Sample Plans\721310XS01.dgn(0N+1-56, 58-63)
 G:\SUE\SUE Training\AUP\ Sample Plans\721310XS01.dgn(0N+1-56, 58-63)
 G:\SUE\SUE Training\AUP\ Sample Plans\721310XS01.dgn(0N+1-56, 58-63)



REVISION DATES		

STATE OF GEORGIA
 DEPARTMENT OF TRANSPORTATION
 OFFICE: URBAN DESIGN
 EARTHWORK CROSS SECTIONS
 SR 120/ROSWELL RD. WIDENING
 DRAWING No.
23-16

